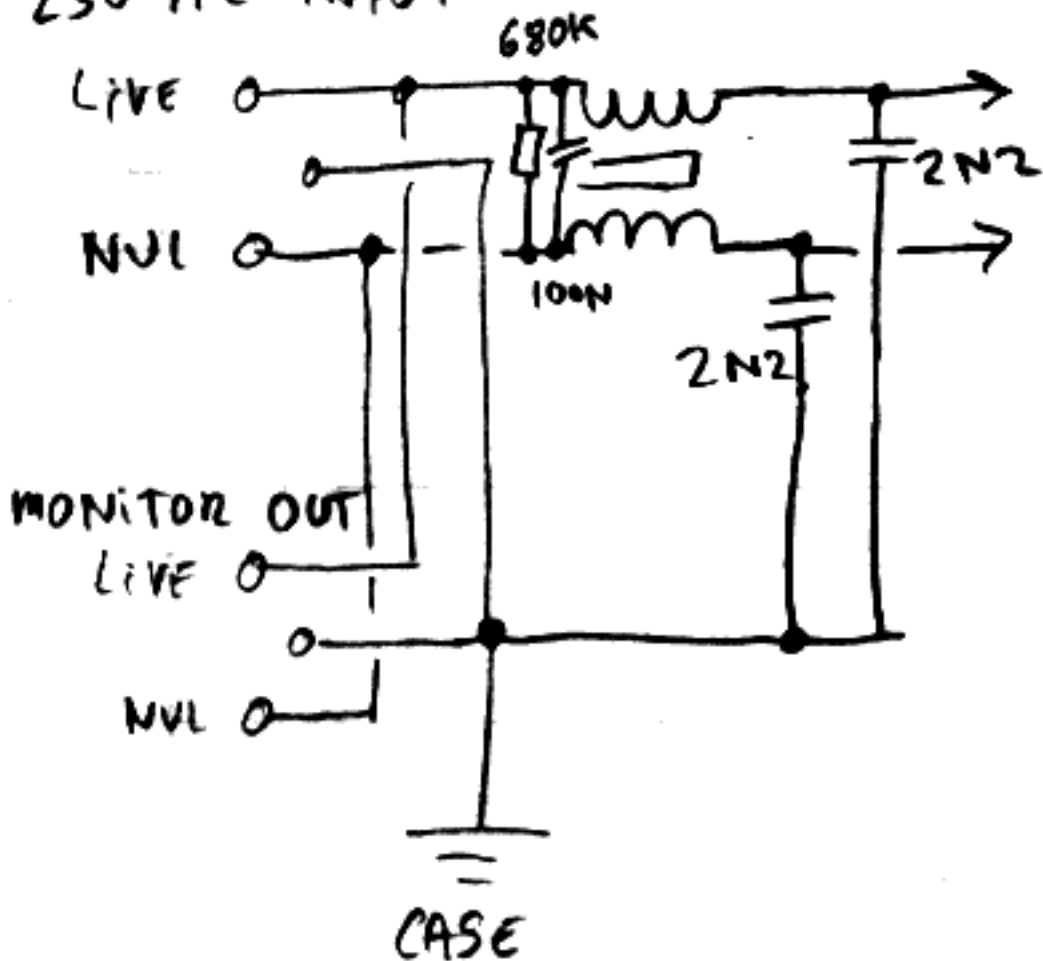


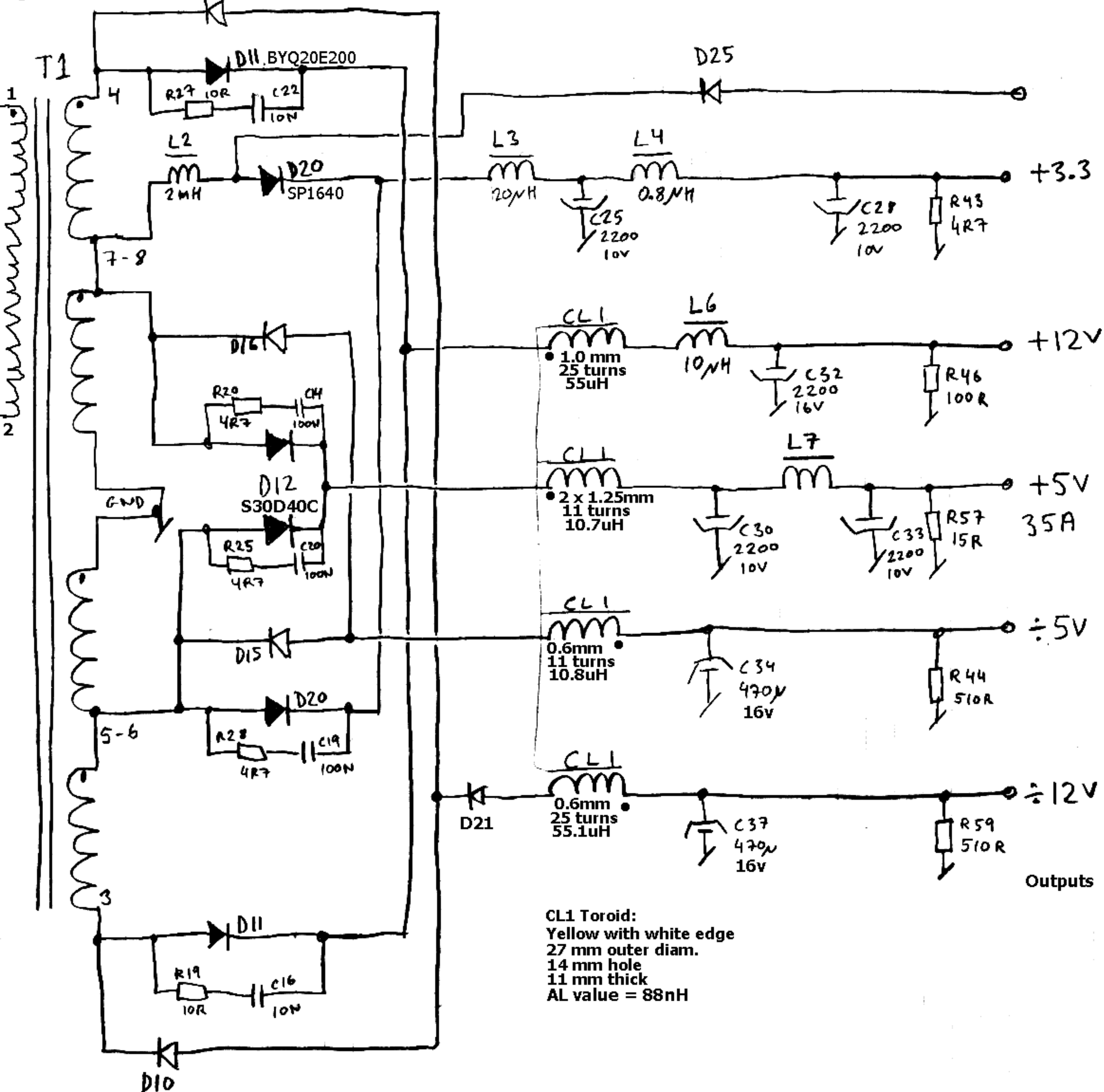
INPUT FILTER PCB.

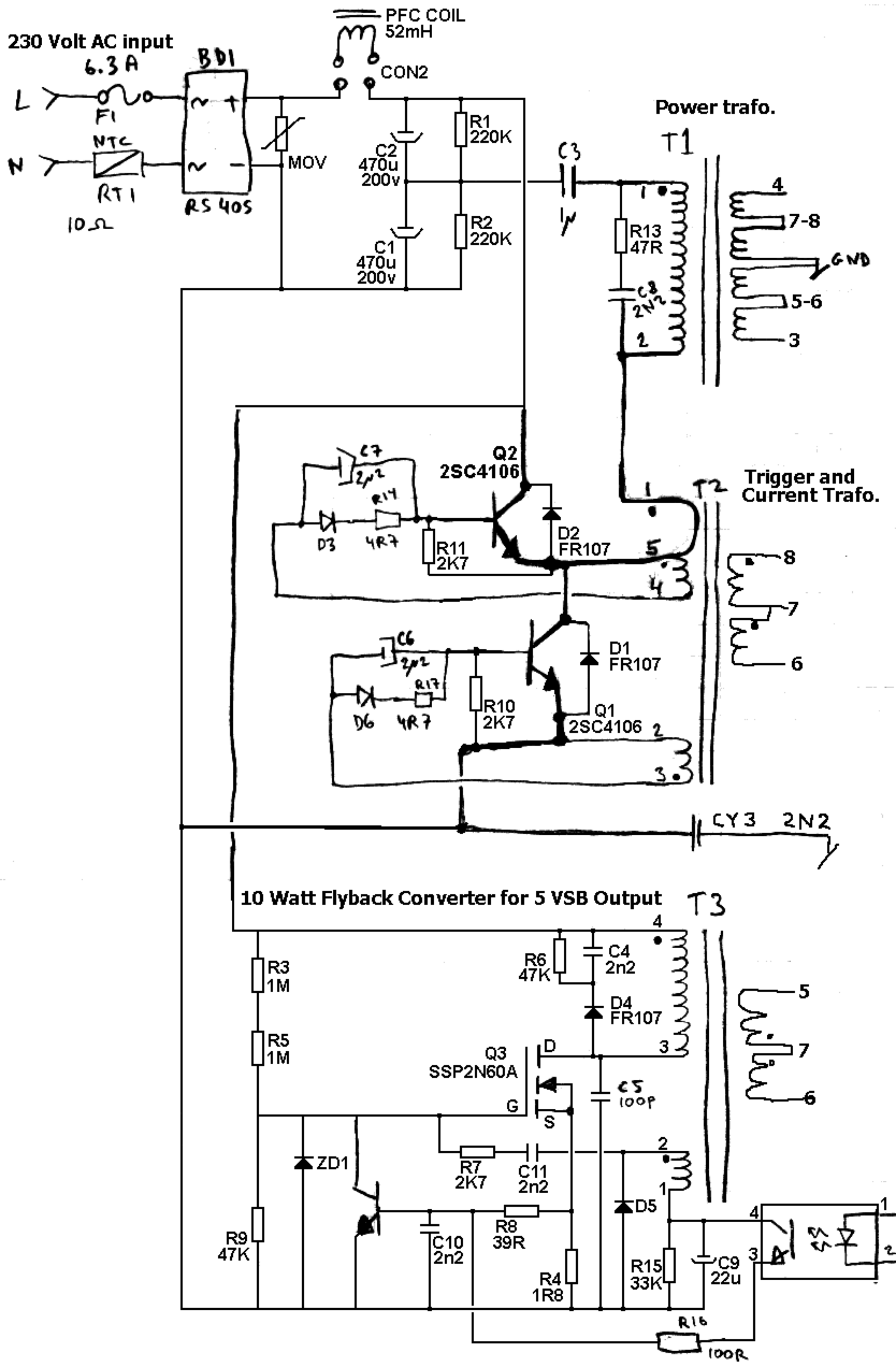
230 AC INPUT



Big Power Trafo

Output Section





SWITCHING POWER SUPPLY

MODEL: LC-A400ATX PFC

INPUT 115/230V ~, 50/60Hz



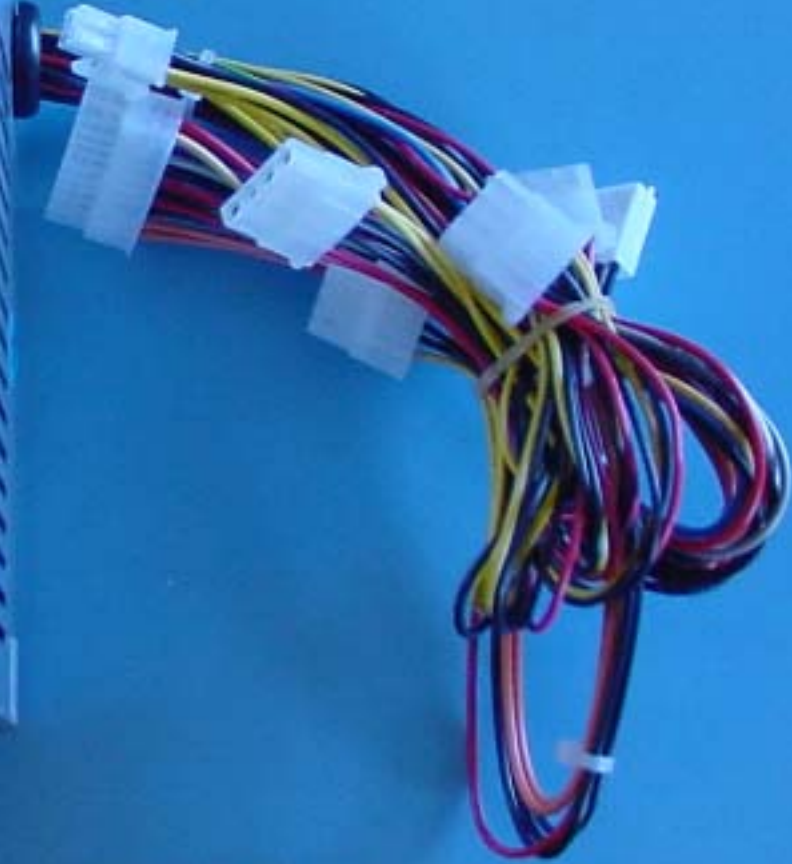
CB

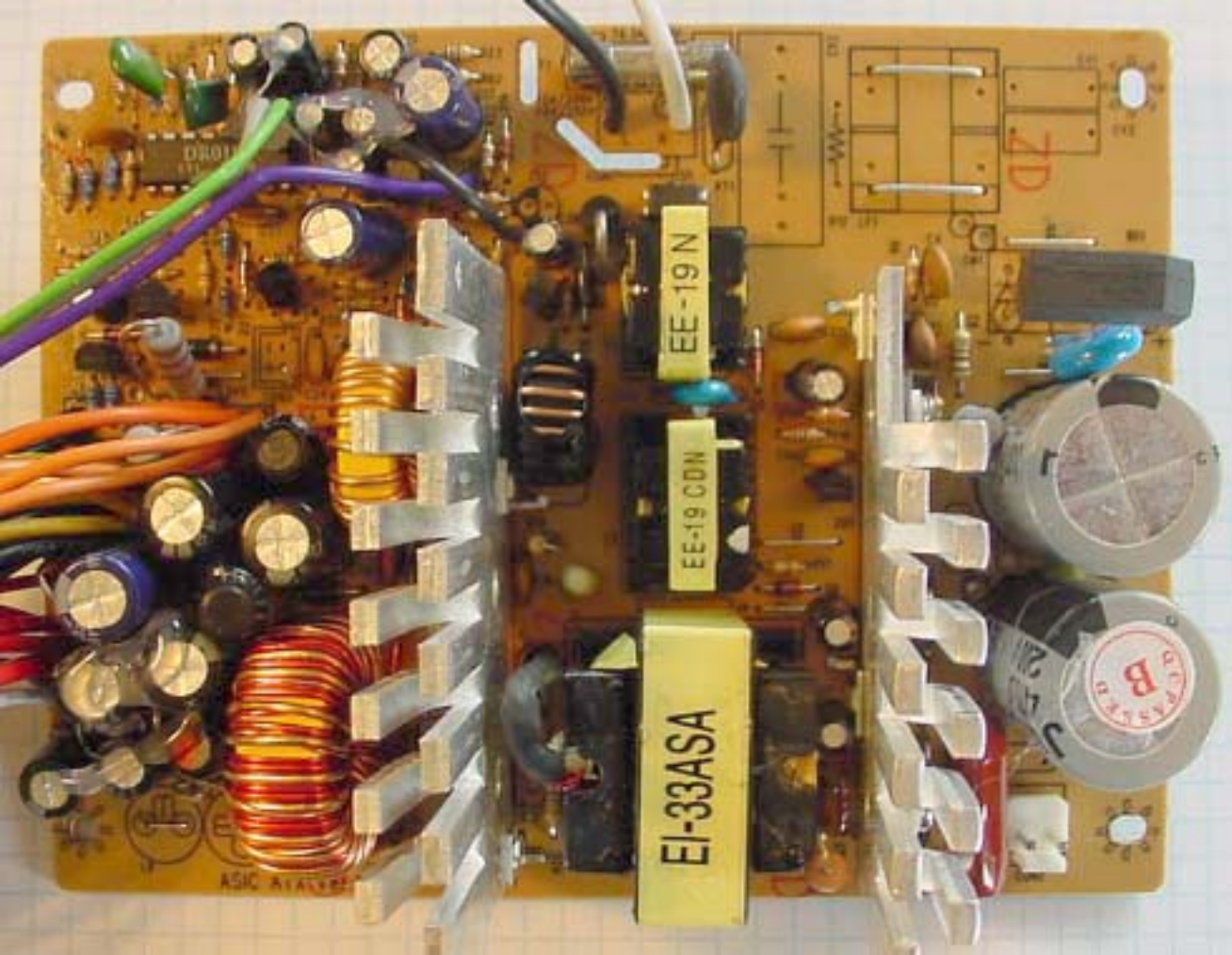
CE S N D FI

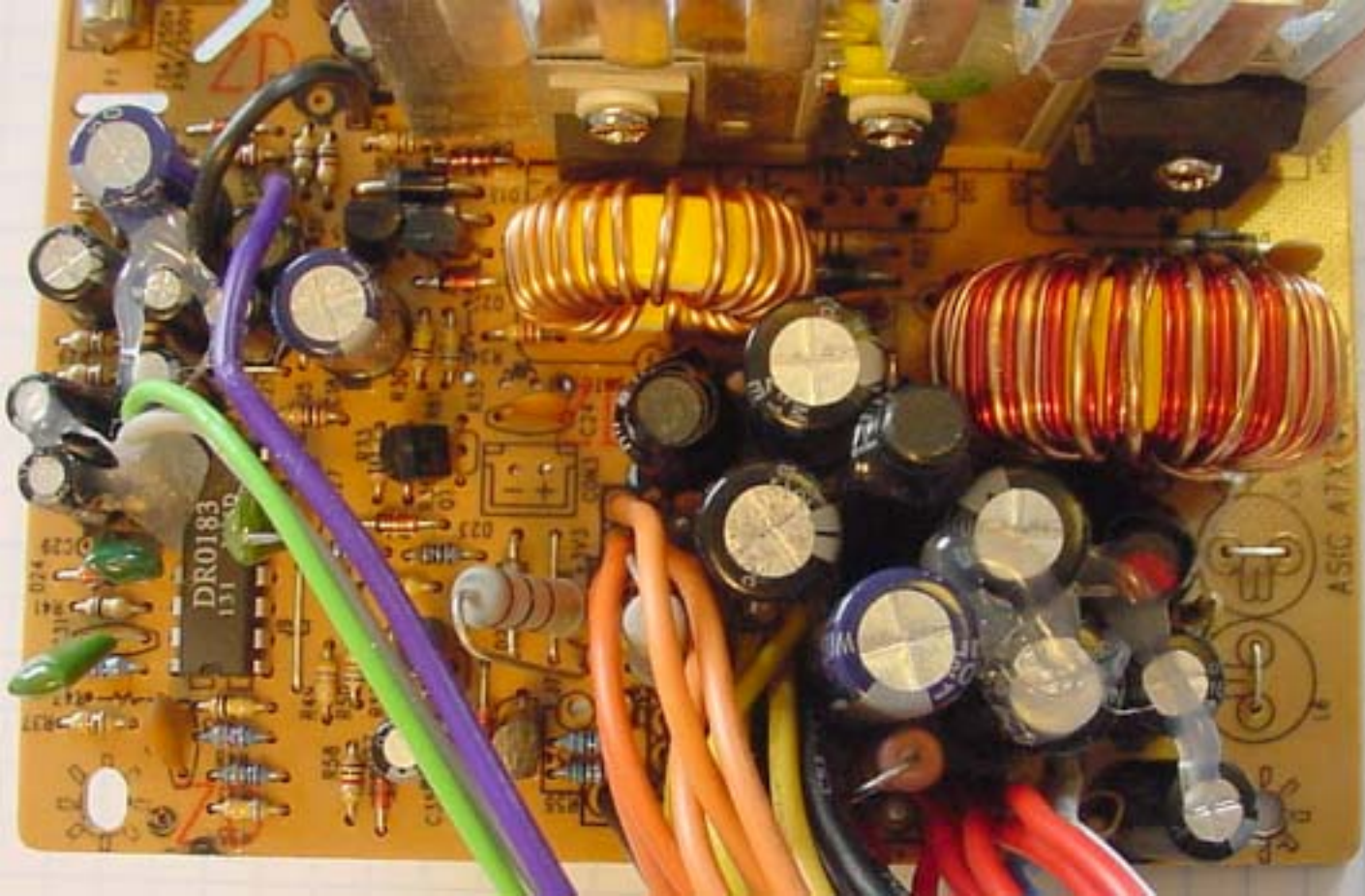
Better Quality with
Temperature Controlled Fan

OUTPUT:400W	
+3.3V	24A
+5V	35A
+12V	12A
+5VSB	2A
-5V	0.5A
-12V	0.5A
PS-ON	
P.D.	

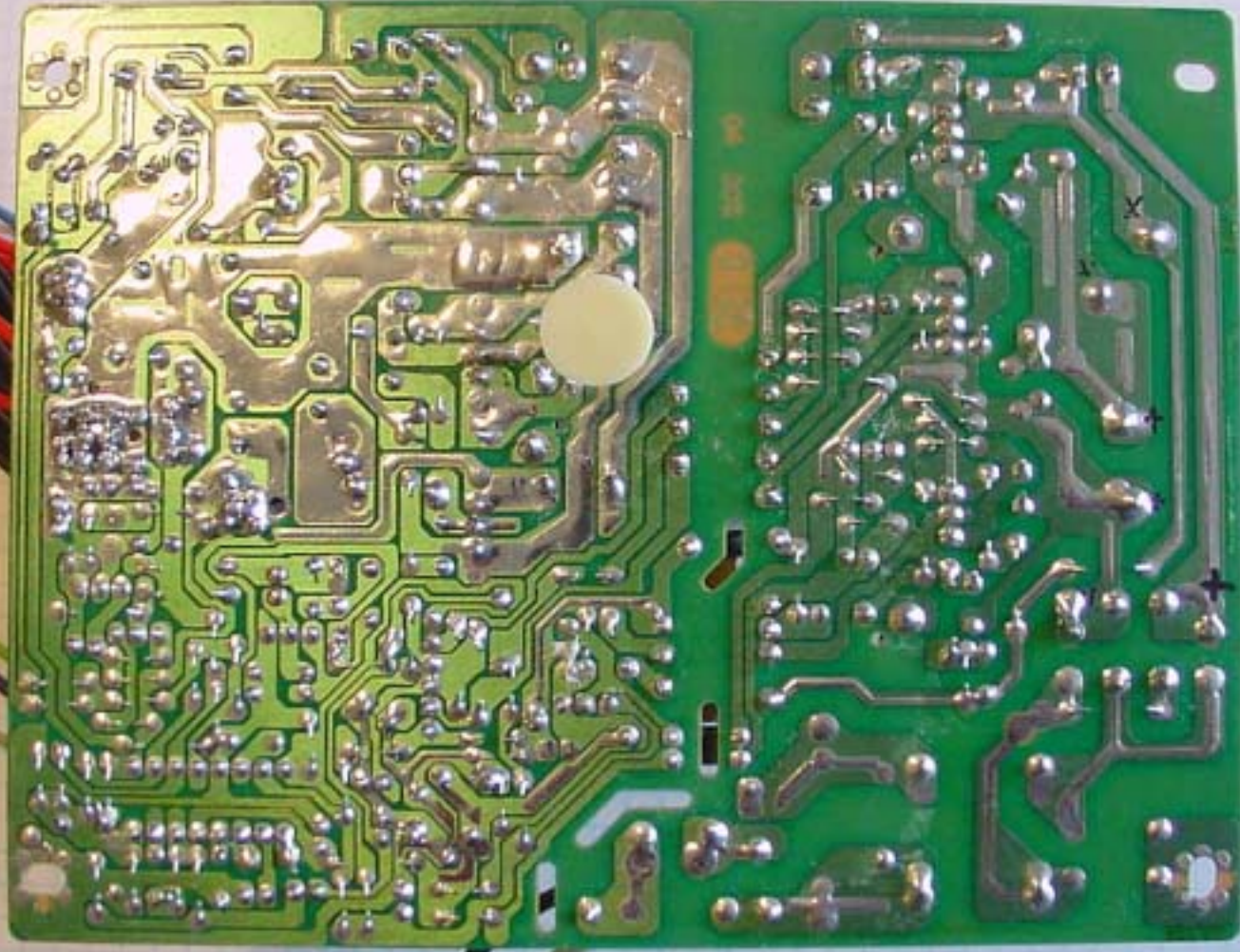
EN60418

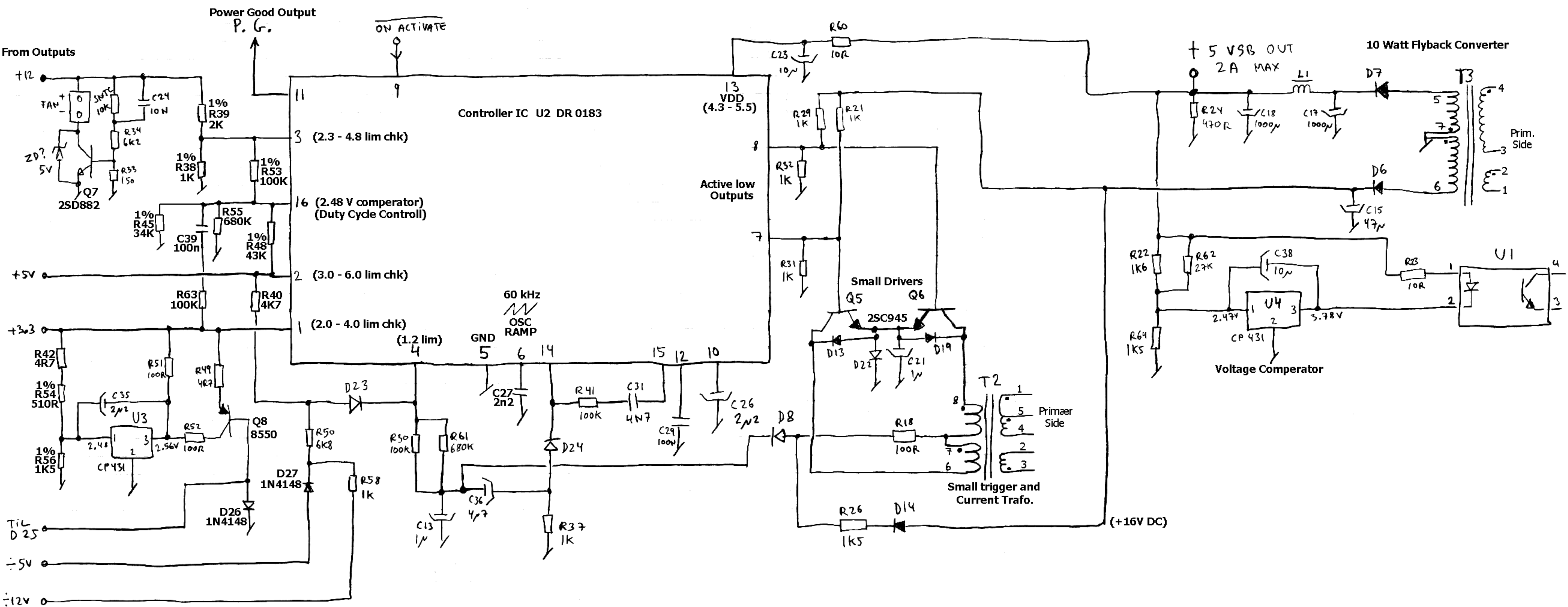




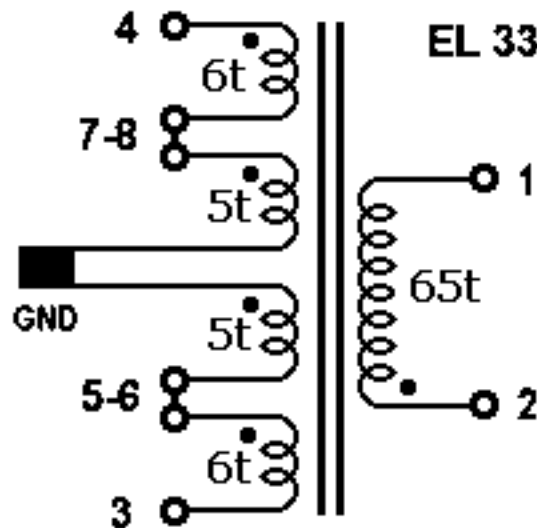




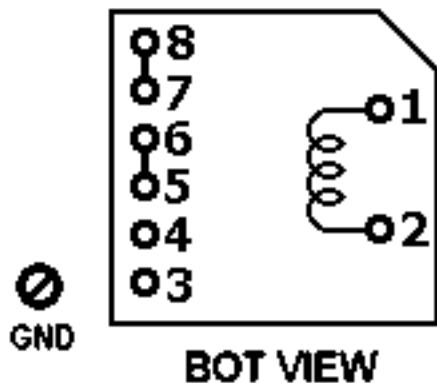




EL 33 ASA

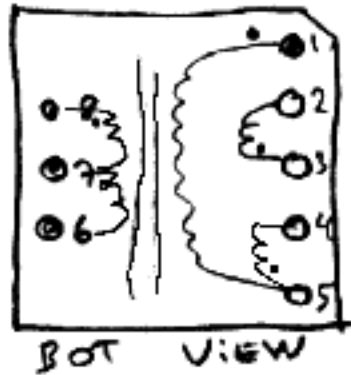
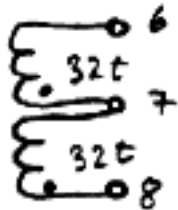
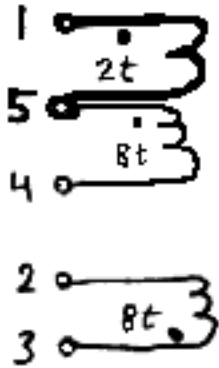


POWER TRAF0



EE-19 CDN

CURRENT TRAF0



EE 19 N

