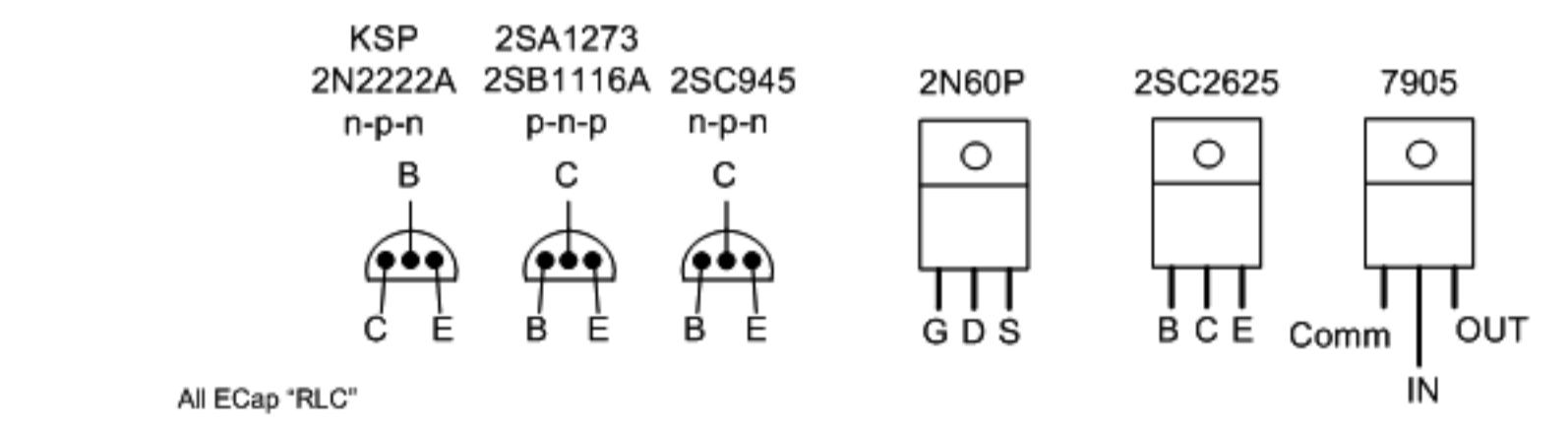
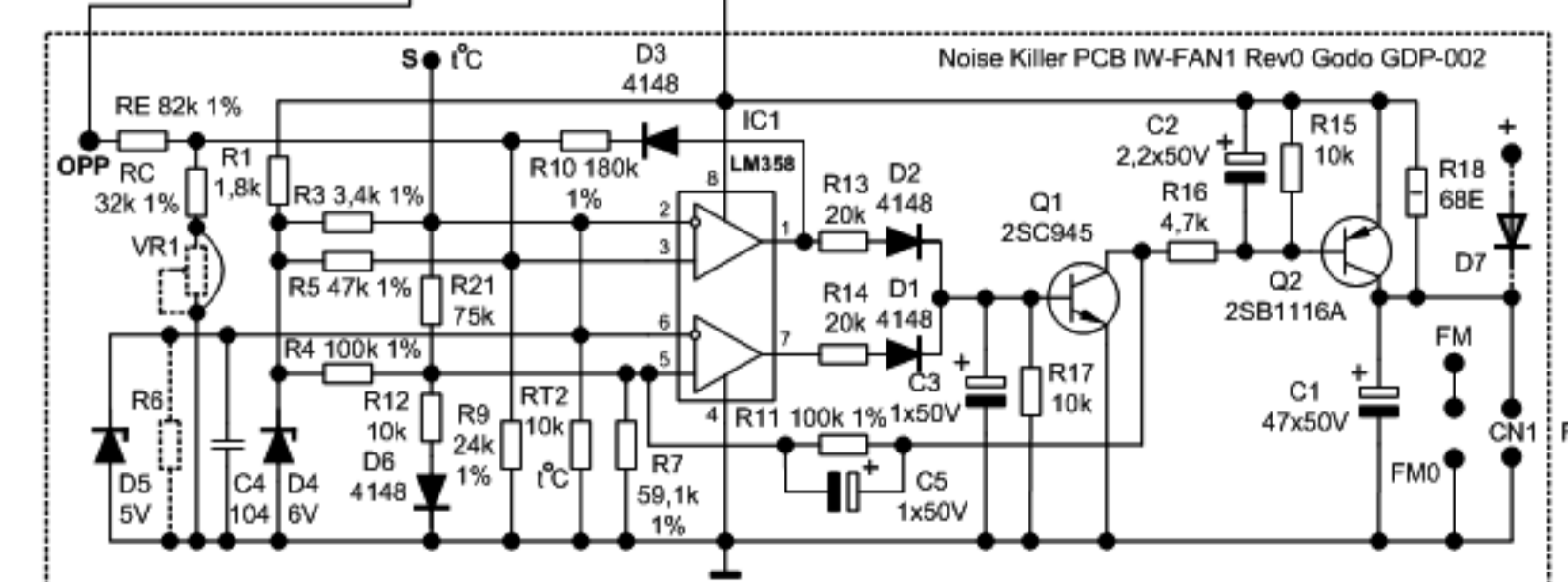
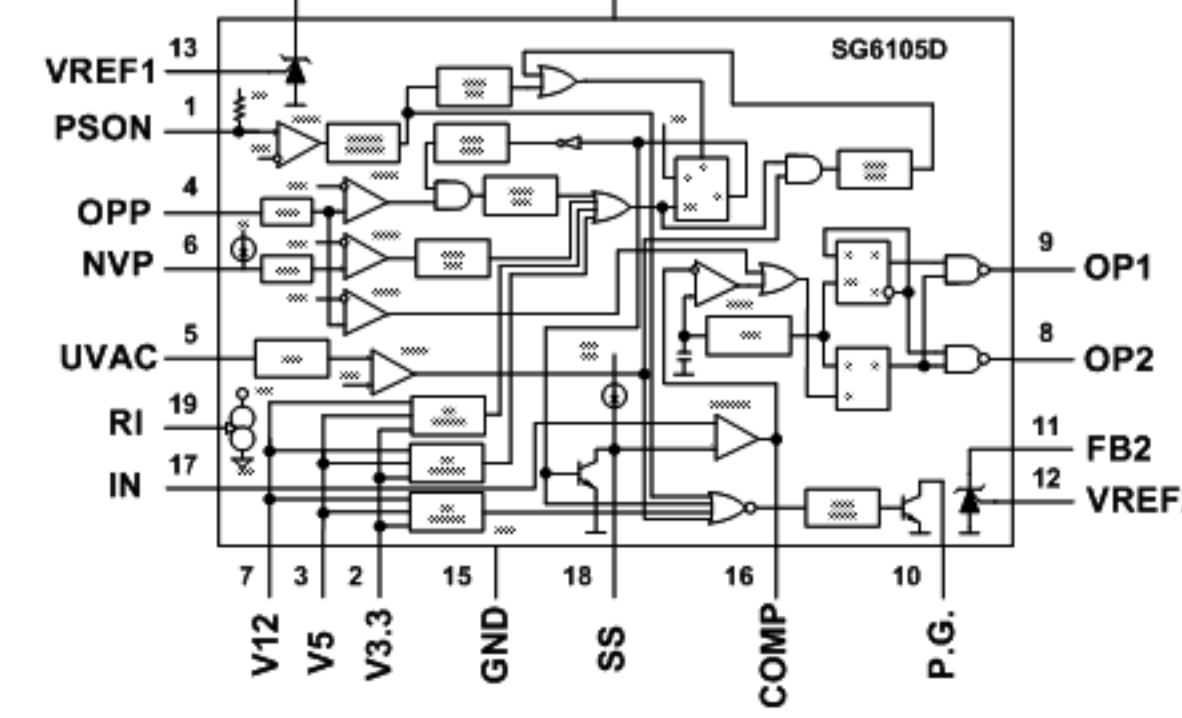
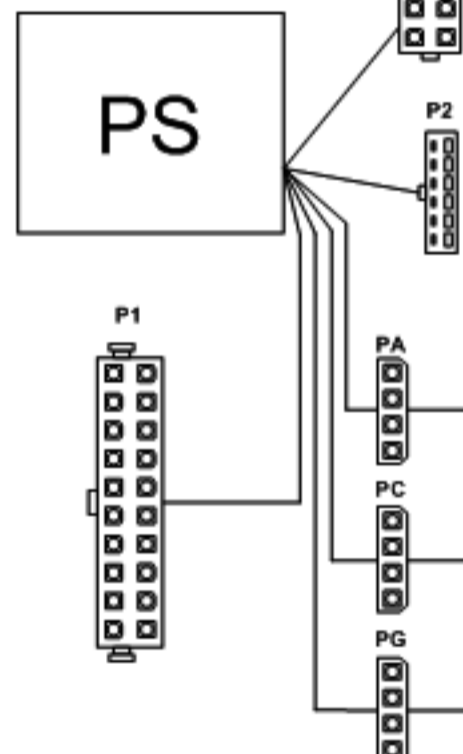
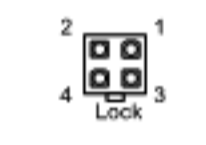
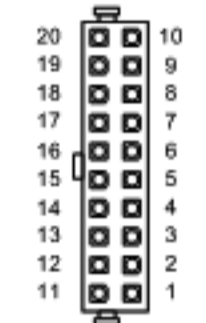


Pin No.	Definition	Color
1	3.3V (Orange)	
2	3.3V (Orange)	
3	GND (Black)	
4	VCC (Red)	
5	GND (Black)	
6	VCC (Red)	
7	GND (Black)	
8	Power Good (Grey)	Red
9	+5V SB (Violet) *	Green
10	+12V (Yellow)	
11	3.3V (Orange) *	Brown
12	-12V (Blue)	Violet
13	GND (Black) *	
14	PS_ON (Green) *	
15	GND (Black)	
16	GND (Black)	
17	GND (Black)	
18	-5V (White)	
19	VCC (Red)	
20	VCC (Red)	

Pin No.	Definition
1	GND (Black)
2	GND (Black)
3	+12V (Yellow)
4	+12V (Yellow)



INWIN		Model: IW-ISP300A3-1 PowerMan W/ PFC (Power Factor Correction)			
		POWER SUPPLY			
Vladimir Davydov	SIZE 1	FSCM NO 1	DWG NO 1	REV	
AKA Older	SCALE 1:1	Visio2002	SHEET 1 OF 1	Reverse Circuit 19.01.2004	