

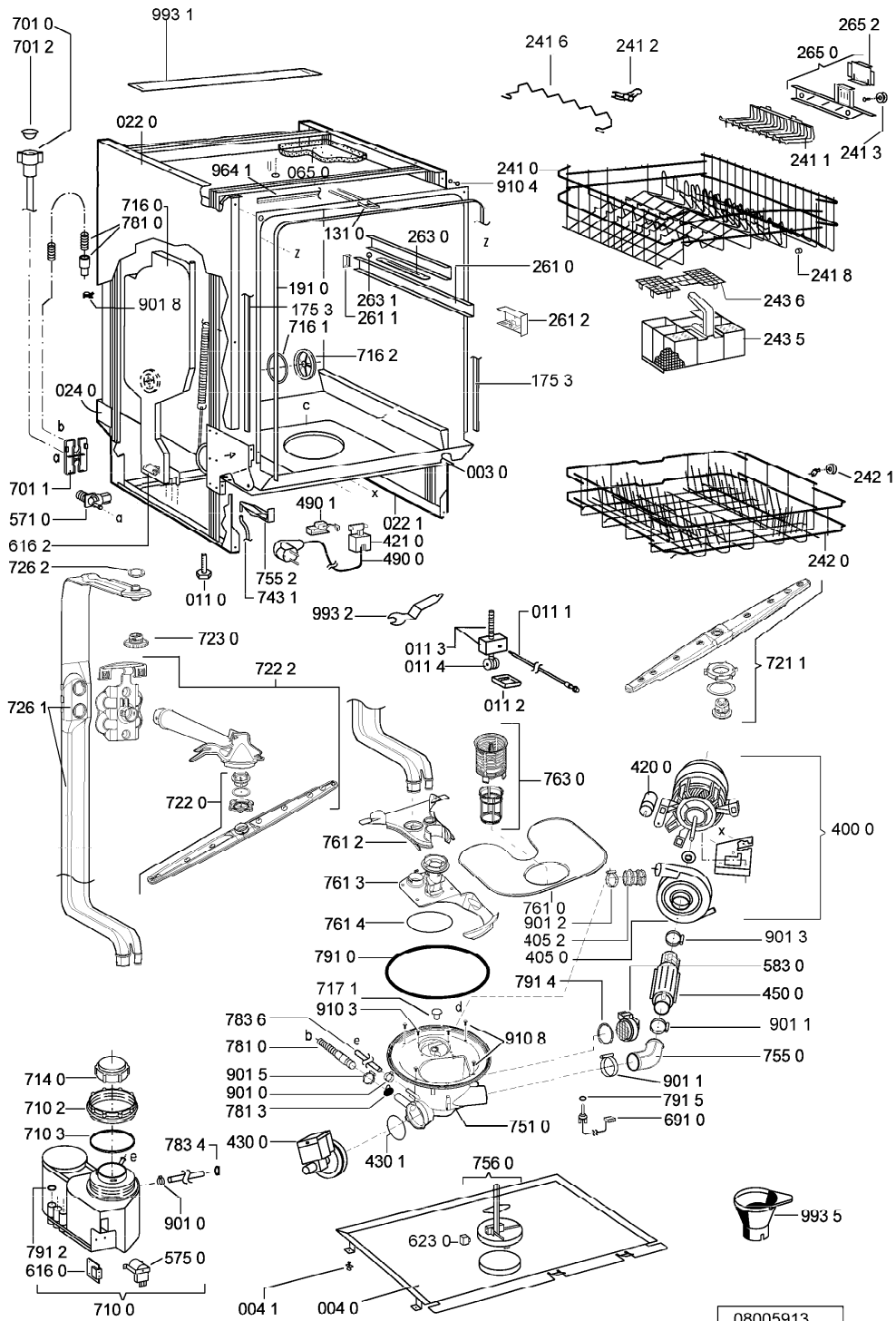
Spare Part List

Pos	12NC	Description
003 0	4812 440 11455	Crossbar
004 0	4812 440 11463	Drip tray assy
004 1	4812 401 18402	Holder
011 0	4812 505 18418	Foot long
011 1	4812 528 98004	Shaft flexible
011 2	4812 528 78032	Slide disc f.foot
011 3	4812 535 98054	Gear
011 4	4812 528 98001	Roll f.foot
022 0	4812 440 11467	Side panel left metallic
022 1	4812 440 11466	Side panel right metallic
024 0	4812 440 11468	Panel rear
040 1	4812 417 18774	Hinge left
040 2	4812 417 18773	Hinge right
044 0	4812 492 38362	Spring f.door
047 0	4812 404 48746	Brake f.door
047 1	4812 401 18707	Band,brake
047 2	4812 404 68023	Hook
053 0	4812 440 89138	Plinth w/o hole sheet
065 0	4812 466 48051	Insulation without outcut
103 0	4812 440 11465	Door outer
105 0	4812 404 48611	Fastener door
105 2	4812 505 68022	Clip
105 3	4812 404 48633	Fastener
105 4	4812 310 58116	Template FD
120 0	4812 440 11578	Door inner
120 1	4812 440 11454	Batten
130 0	4812 417 58398	Tilt lock
131 0	4812 401 18416	Hook lock
175 3	4812 466 68867	Batten
191 0	4812 466 68564	Gasket door
192 0	4812 466 68912	Gasket door lower (TCP)
241 0	4812 458 19027	Basket upper straight
241 1	4812 458 19264	Holder cups right VBL10809
241 3	4812 528 88113	Wheel basket upper 10809 4pcs.
241 6	4812 310 18757	Holder glasses kit wh
241 6	4812 458 19355	Holder glasses wiring VBL9.8132
241 6	4812 535 78095	Bearing wiring glassholder 10809
241 8	4812 466 68848	Spacer VBL10809 2pcs.
242 0	4812 310 28136	Basket lower KIT
242 1	4812 528 88112	Wheel basket lower 10809 8pcs.
243 5	4812 310 38897	Cutlery basket KIT soft 10809/10752
243 6	4812 458 19296	Grille cutlery EBL 10809
261 0	4812 462 79831	Rail telescope, inner
261 1	4812 462 79768	Cap rail rear 10809
261 2	4812 462 79986	Cap rail front swinging 10809
263 0	4819 520 18013	Ball cage cpl.
263 1	4812 310 48026	Service kit balls plas
265 0	4812 404 49712	Basket adjustm. VBL cpl.gr.10809
265 2	4812 404 48934	Grip basket adj.VBLgr.10809
301 0	4801 401 02427	Control panel ,insert+panel

Pos	12NC	Description
332 5	4812 410 28556	Cap f.beater
400 0	4812 361 58434	Motor +SP,50Hz,per.
405 0	4812 360 18568	Pump body Crin Serv.Part
405 2	4812 530 29437	Connection Outlet ServiceKit CRIN
420 0	4812 121 18277	Capacitor 4 μ F
421 0	4812 121 18276	Interf.filter - 68820-06
430 0	4812 360 18558	Pump,draining - 72894 - RoHS
430 1	4812 466 68689	Gasket
450 0	4812 259 28892	Heating element 2'040W 220V - 303554
480 0	4812 321 28416	Cable harness IC-FD (LS6)
480 1	4812 321 28475	Cable UCB-DB
480 3	4812 401 18418	Protector f.wiring
490 0	4819 321 18136	Cable mains 2m SA
490 1	4812 321 28367	Strain relief
503 0	4812 282 10183	Timer switch delay 3-6-9(DLB)
521 0	4812 218 38584	Control board
521 0	4812 218 38596	Control board (UCB)
571 0	4812 281 28462	Valve
575 0	4812 310 19146	Regen.valve kit SB481271840202
583 0	4812 271 28556	Switch diaphragm
616 0	4812 281 18066	Contact reed salt
616 1	4812 271 58184	Contact reed rinsing agent
616 2	4812 310 19147	Contact reed
621 0	4812 276 18493	Switch on/off
623 0	4812 271 38489	Microswitch
633 0	4812 271 38488	Microswitch door
680 0	4812 418 68371	Combidosage
680 1	4812 466 68495	Gasket
680 3	4812 440 11209	Lever,fastener combidos.
681 1	4812 466 68497	Gasket SK 5244.04.04
681 2	4812 440 18975	Flap
682 0	4812 466 68496	Gasket
691 0	4812 282 68051	Feeler
701 0	4819 530 28926	HYDRO-SECURITY 2,5m 90# 10 BAR straigh
701 1	4812 310 18302	Yoke
701 2	4822 480 50159	Sieve inlet
710 0	4812 418 68373	Monoblock cpl. w.Reed
710 2	4812 310 38896	Threaded ring gr.10809
710 3	4819 466 69562	Gasket set
714 0	4812 462 79903	Threaded cap gr.10809
716 0	4812 418 68368	Reg.dosage SK 5250.10.0
716 1	4812 466 68475	Gasket
716 2	4812 462 78994	Cover reg.dos. gr.10809
717 1	4812 462 79793	Stopper
721 1	4812 360 68689	Spray arm; lower. cpl. sa
722 0	4812 360 68687	Spray arm upper gr.10809
722 2	4812 360 68693	Spray arm; 2nd level cpl. saph
723 0	4812 360 68691	Douche ceiling
726 1	4812 530 29331	Tube; assembly cpl.
726 2	4812 505 18208	Nut

Pos	12NC	Description
743 1	4812 530 28102	Hose inlet
751 0	4812 418 18338	Water collector ,NTC WI
755 0	4812 530 29119	Bend
755 2	4812 530 48148	Tray,leak
756 0	4812 360 58479	Floater
761 0	4812 480 58122	Sieve fine
761 2	4812 418 18337	Cover sieve gr.10809
761 3	4812 418 18341	Cover
761 4	4812 530 58141	O-Ring
763 0	4812 480 58363	Sieve
781 0	4812 530 29113	Hose,draining
781 3	4812 281 28417	Flap non-return
783 4	4812 530 28888	Hose
783 6	4812 530 28796	Hose 10x3x180+10
791 0	4812 532 68099	Gasket
791 2	4812 530 58093	Gasket SK 5199 01 4
791 4	4812 466 68503	Gasket
791 5	4812 466 68504	Gasket
900 1	4812 310 28351	Fastener set n.sh. (IKEA)
901 0	4812 401 18709	Clamp hose S10-16/9-C7W1
901 1	4812 401 18708	Strap 050,0
901 2	4812 401 18705	Strap 033,1
901 3	4812 401 18806	Strap 47,0 mm
901 5	4812 401 48588	Strap 028,6
901 8	4812 401 18711	Clamp hose 25-29
902 2	4812 404 78241	Holder
910 1	4812 502 18394	Screw 3,5x17-H
910 2	4812 502 18363	Screw 4,0x12-H
910 3	4812 502 18527	Screw 4x15 T20; 4x15 T20
910 4	4812 502 18741	Screw M3,5x8-T15M
910 5	4812 502 18739	Screw 3,5x8 Tx15
910 7	4812 502 18397	Screw INOX A2 M 5X12
910 8	4812 502 18389	Screw 5x20 T20
910 9	4812 401 18706	Screw 2,5x15-H
964 1	4812 466 68573	Gasket housing upper
993 1	4812 466 78388	Foil protection
993 2	4812 404 48753	Key foot
993 5	4822 532 80216	SALT FUNNEL

Exploded View



08005913

Exploded View

